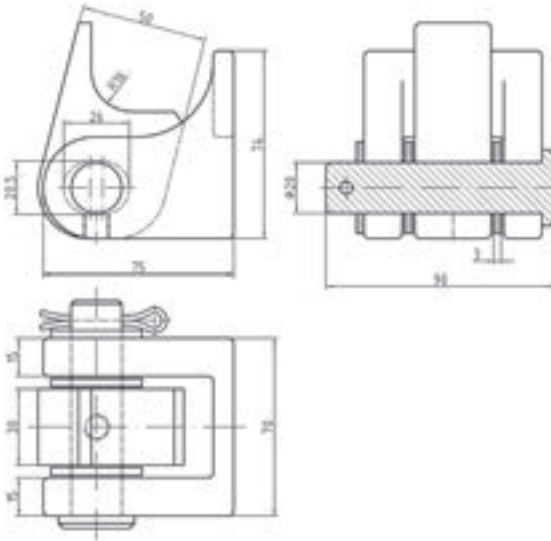


HINGE DIN 83105 FORM C - HINGE DIN 83105 FORM C WITH LONG HOLE

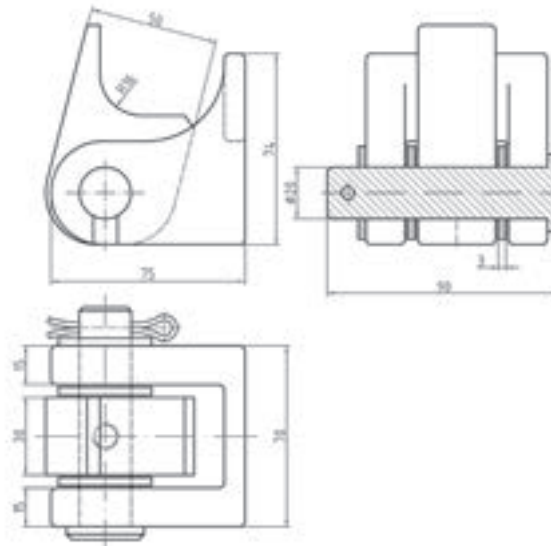
• Also single parts available



Art.code	Surface	Article description	Unit	Weight
2383105-C	Steel	Hinges for heavy hinged ship doors, DIN 83105 C with long hole	set	1,540

HINGE DIN 83105 FORM D - HINGE DIN 83105 FORM D WITH ROUND HOLE

• Also single parts available



Art.code	Surface	Article description	Unit	Weight
2383105-D	Steel	Hinges for heavy hinged ship doors, DIN 83105 D with round hole	set	1,540

11 HINGES FOR SHIP DOORS

STEEL HINGES FOR HEAVY HINGED SHIP DOORS