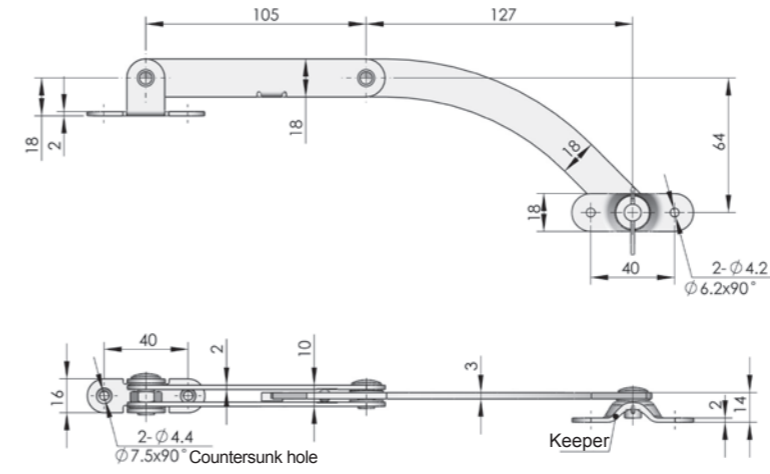
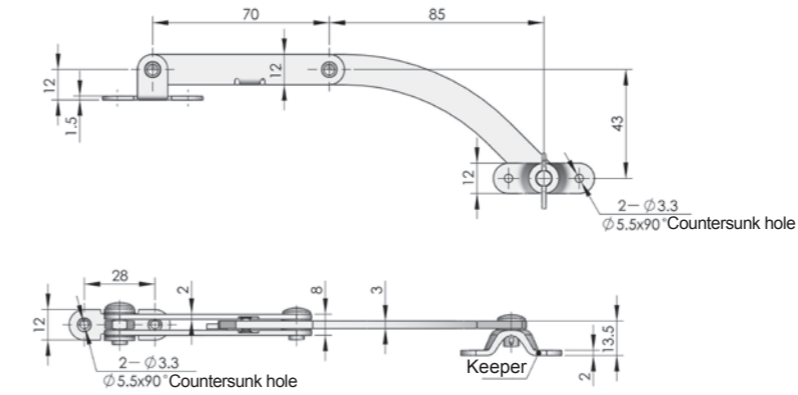


DOOR STOP SERIES



TX80-1

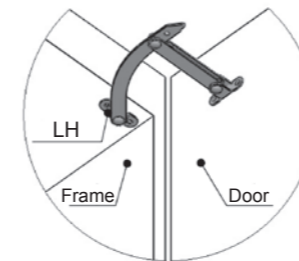
Remark: change the fitting direction of the keeper to suit RH or LH application



TX80-2

Remark: change the fitting direction of the keeper to suit RH or LH application

Example of application



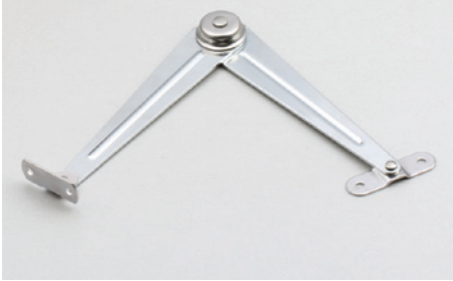
| Specification | Model | ERP | Model | ERP |
|---------------|----------|-------------|----------|-------------|
| LH | TX80-1-Z | TX080F3A001 | TX80-2-Z | TX080F3A005 |
| RH | TX80-1-Y | TX080F3A002 | TX80-2-Y | TX080F3A006 |



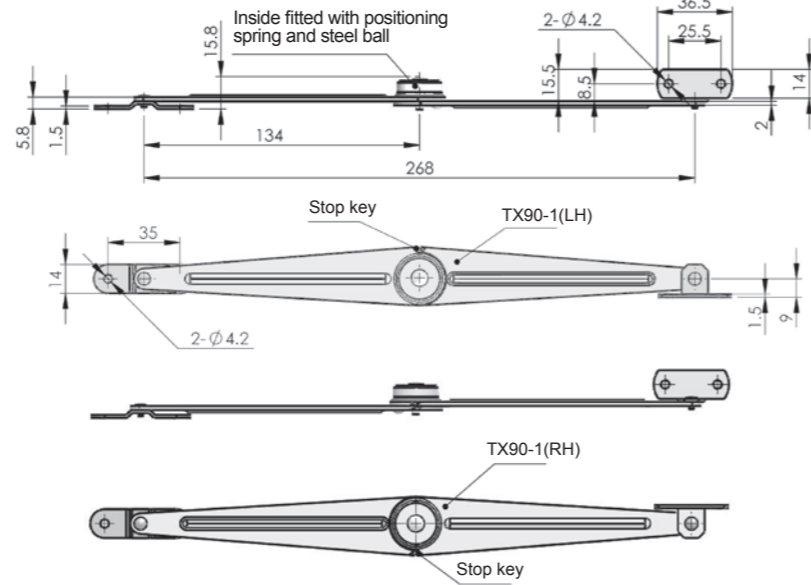
Main material and finish: Bright chrome plated steel body

- Accessories
- Electronic lock
- Handle lock
- Cylinder lock
- Plane lock
- Rod control lock
- Panel lock
- Toggle and hook
- Handles
- Door stop**
- Hinge
- Seal gasket

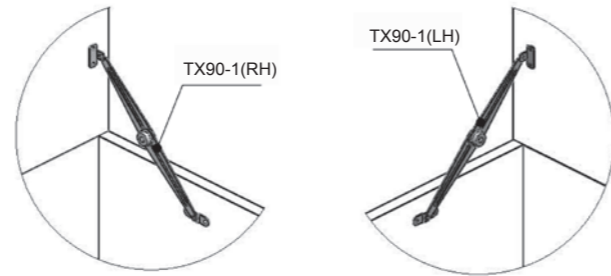
TX90-1



Main material and finish: Bright chrome plated steel



Example of application

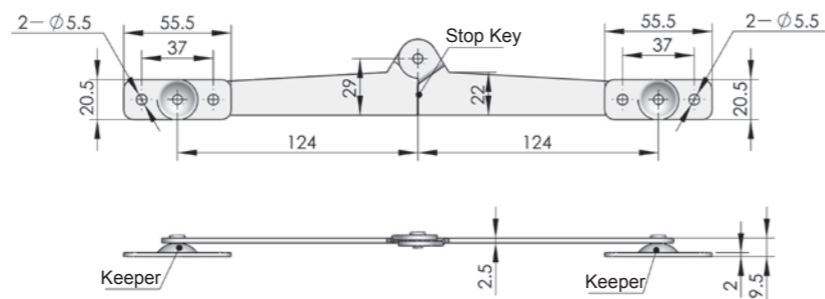


| | | |
|------------|--------------------|--------------------|
| | TX90-1-Z LH | TX90-1-Y RH |
| ERP | TX090F3A001 | TX090F3A002 |

TX90-3



Main material and finish: Chrome plated steel

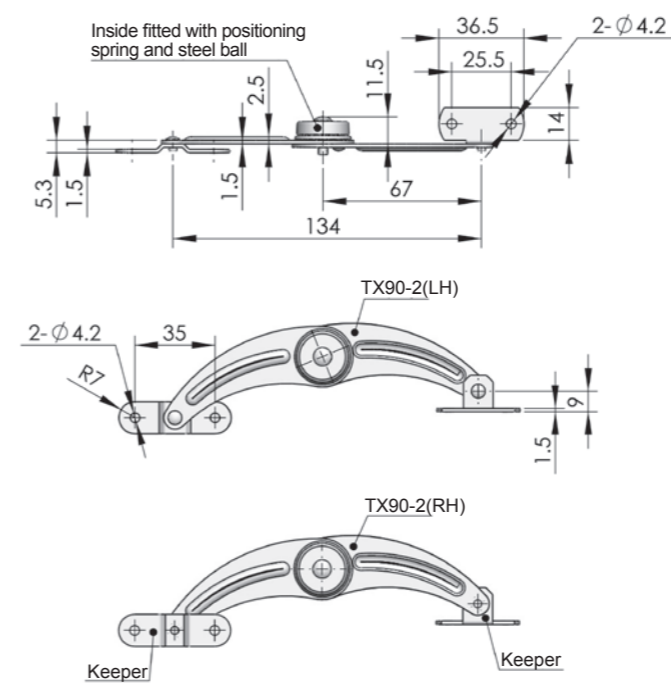


| | |
|------------|-------------|
| ERP | TX090F3A011 |
|------------|-------------|

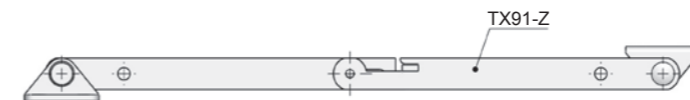
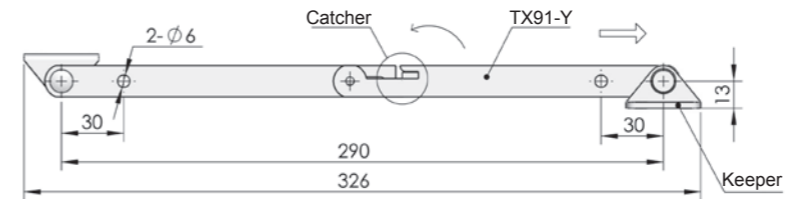
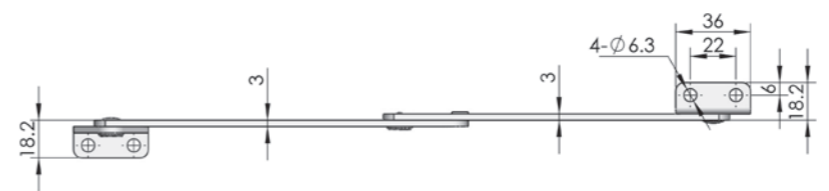
TX90-2



Main material and finish: Bright chrome plated steel



| | | |
|------------|--------------------|--------------------|
| | TX90-2-Z LH | TX90-2-Y RH |
| ERP | TX090F3A008 | TX090F3A009 |



| | | |
|------------|--------------------|--------------------|
| | TX91-1-Z LH | TX91-2-Y RH |
| ERP | TX091S00002 | TX091S00001 |

TX91



Main material: Stainless steel

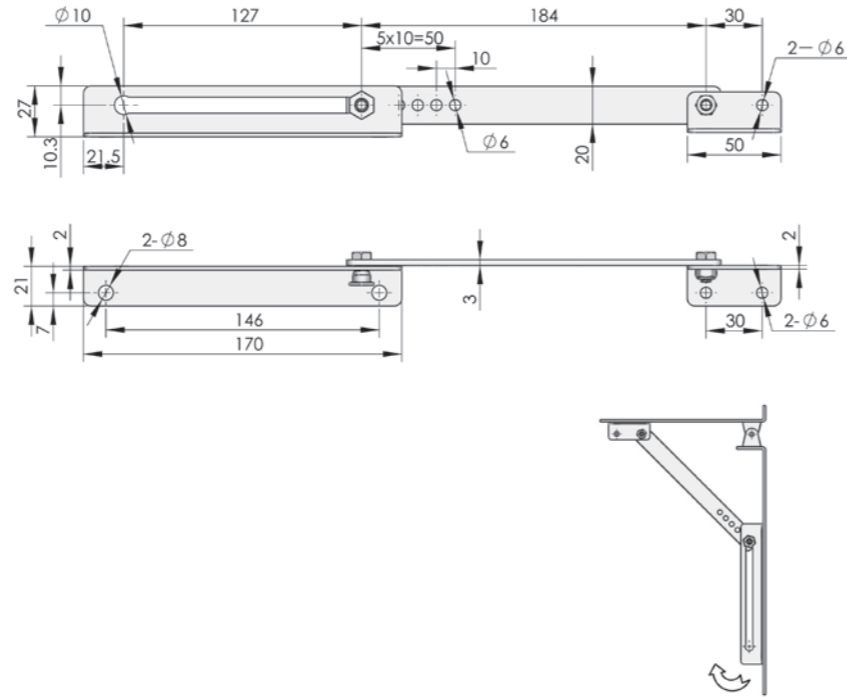
Accessories
Electronic lock
Handle lock
Cylinder lock
Plane lock
Rod control lock
Panel lock
Toggle and hook
Handles
Door stop
Hinge
Seal gasket

Accessories
Electronic lock
Handle lock
Cylinder lock
Plane lock
Rod control lock
Panel lock
Toggle and hook
Handles
Door stop
Hinge
Seal gasket

TX92-2



Main material: Stainless steel

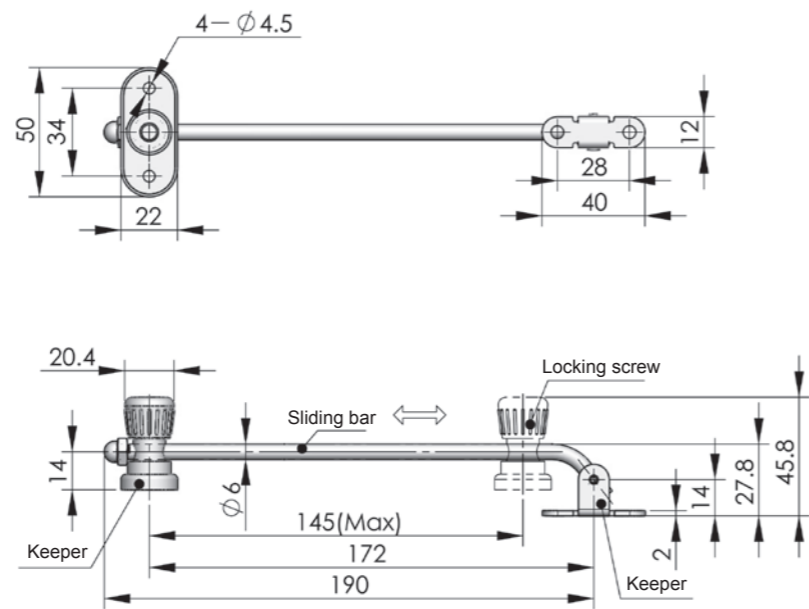


ERP TX092S00002

TX100-B



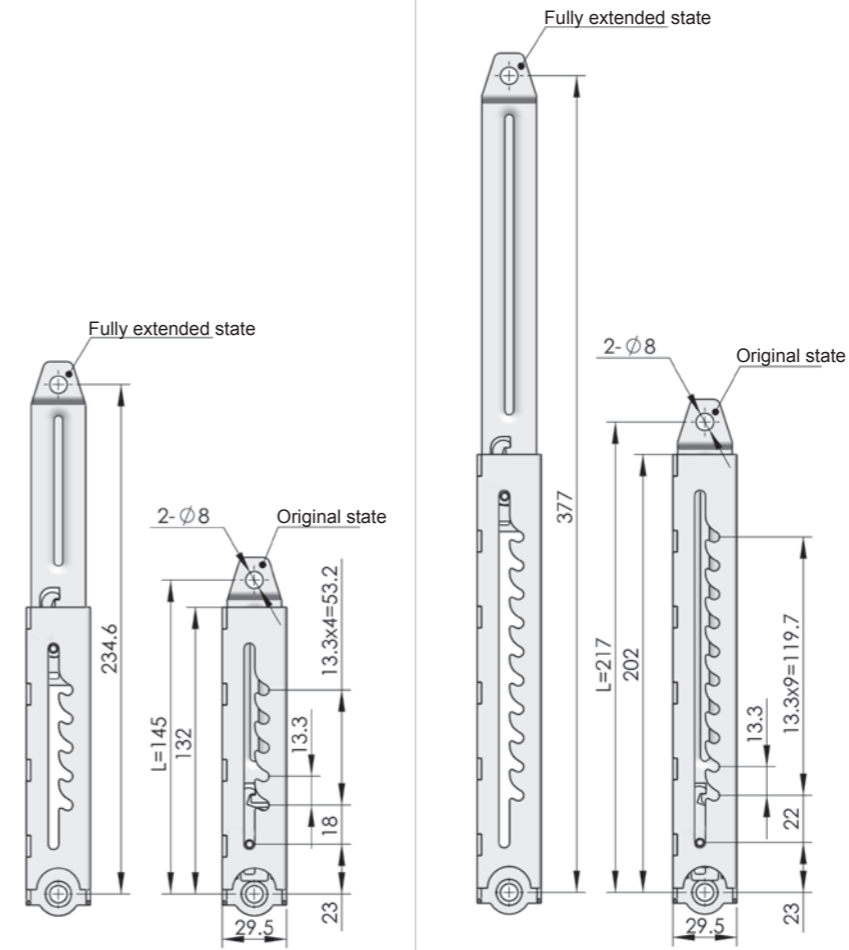
Main material and finish: Bright chrome plated steel body, bright chrome plated steel body, locking screw and ZDC knob



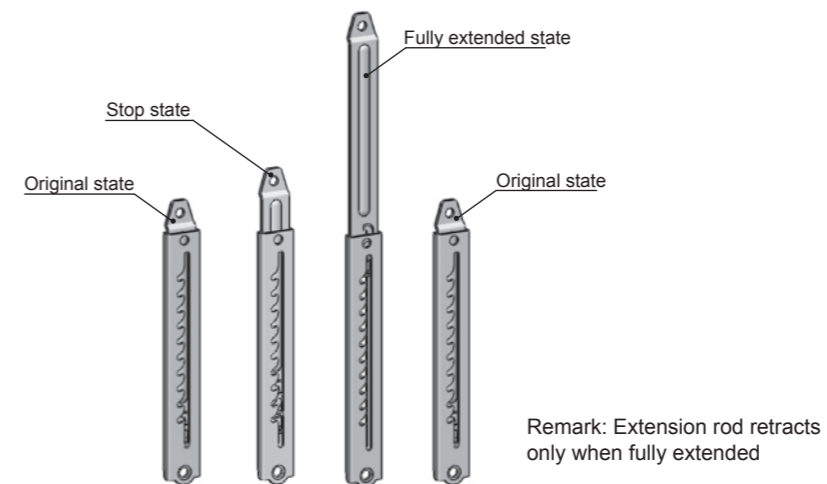
ERP TX100F3A001

TX101-1

TX101-2



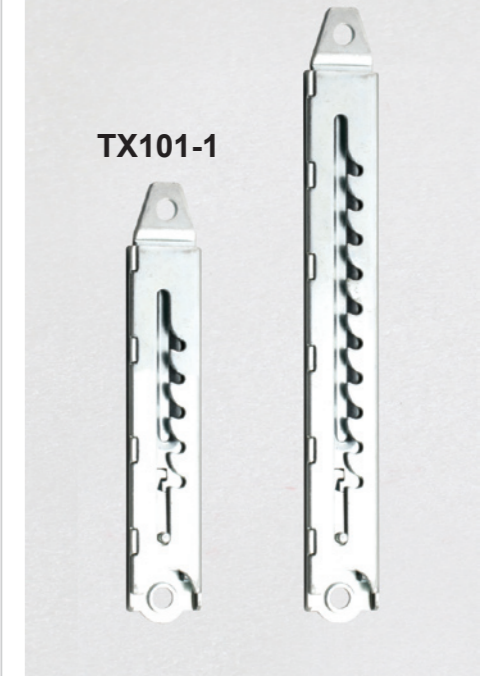
Different states of telescopic cover stay



Remark: Extension rod retracts only when fully extended

| Specification | Model | ERP |
|---------------|---------|-------------|
| L=145 | TX101-1 | TX101F3D001 |
| L=217 | TX101-2 | TX101F3D002 |

TX101-2



Main material and finish: Zinc plated steel
Application: Automatic multiple stops and release in the end position

Accessories
Electronic lock
Handle lock
Cylinder lock
Plane lock
Rod control lock
Panel lock
Toggle and hook
Handles
Door stop
Hinge
Seal gasket

Accessories
Electronic lock
Handle lock
Cylinder lock
Plane lock
Rod control lock
Panel lock
Toggle and hook
Handles
Door stop
Hinge
Seal gasket