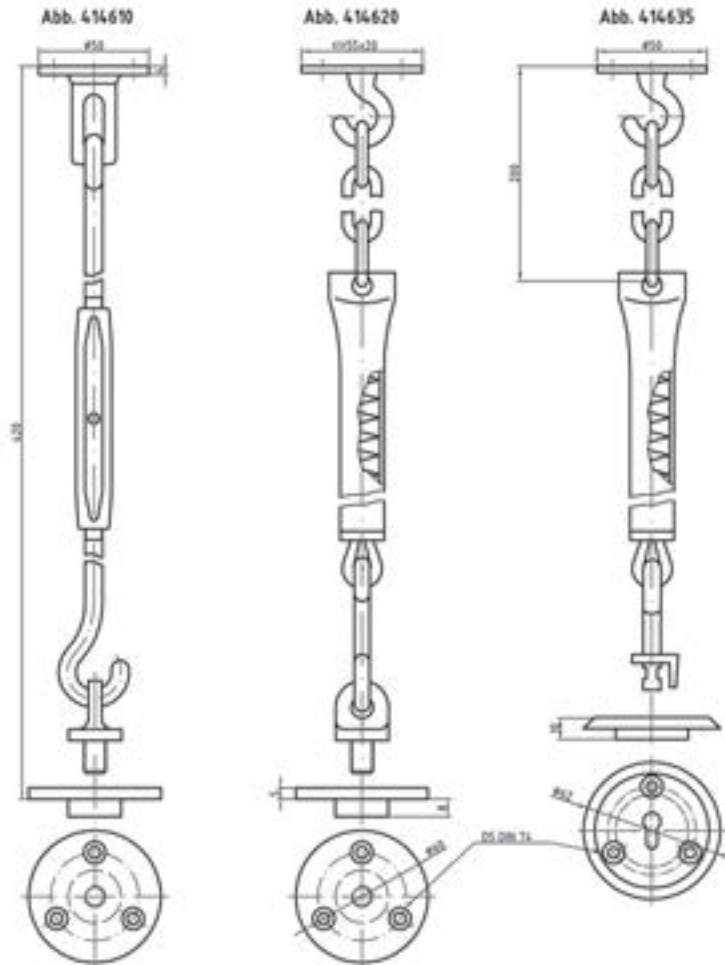


DECK HARDWARE INSIDE - CHAIR FASTENER SET

Please indicate the total length

- Material: Brass Ms 58



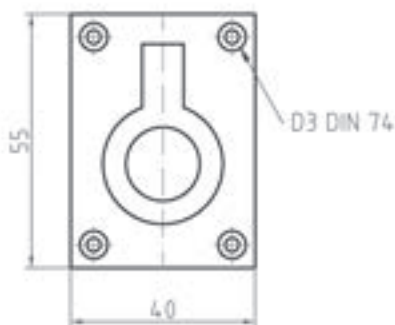
Art.code	Surface	Article description	Unit	Weight
414610.1	Brp	Chair fastener set	pc.	0,470
414610.3	Brpc	Chair fastener set	pc.	0,470
414610.9	Bmc	Chair fastener set	pc.	0,470
414620.1	Brp	Chair fastener set with spring, 7 chain links	pc.	0,590
414620.3	Brpc	Chair fastener set with spring, 7 chain links	pc.	0,590
414620.9	Bmc	Chair fastener set with spring, 7 chain links	pc.	0,590
414635.1	Brp	Chair fastener set with chain and spring, 10 chain links	pc.	0,590
414635.3	Brpc	Chair fastener set with chain and spring, 10 chain links	pc.	0,590
414635.9	Bmc	Chair fastener set with chain and spring, 10 chain links	pc.	0,590

FLUSH PULL GRIPS BRASS - FLUSH PULL GRIPS TYPE 1

- Material: Brass Ms 63



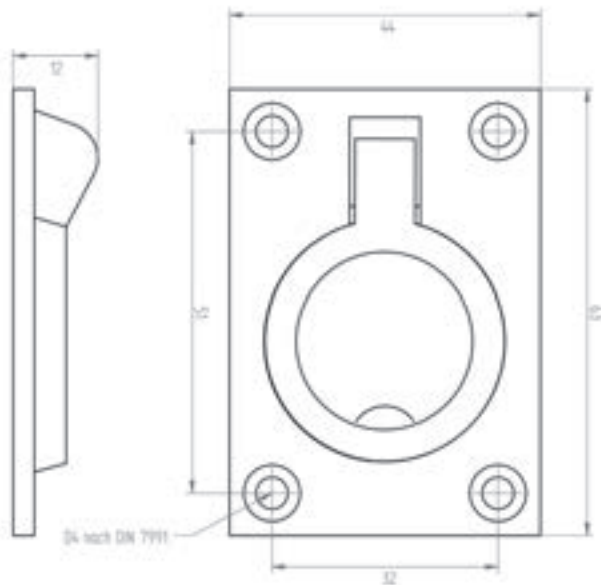
Abb. 410035



Art.code	Surface	Article description	Unit	Weight
410035.4	Bp	Flush pull grip 55x40 mm	pc.	0,055
410035.6	Bpc	Flush pull grip 55x40 mm	pc.	0,055
410035.9	Bmc	Flush pull grip 55x40 mm	pc.	0,055
410040.4	Bp	Flush pull grip 60x45 mm	pc.	0,070
410040.6	Bpc	Flush pull grip 60x45 mm	pc.	0,070
410040.9	Bmc	Flush pull grip 60x45 mm	pc.	0,070
410050.4	Bp	Flush pull grip 70x50 mm	pc.	0,090
410050.6	Bpc	Flush pull grip 70x50 mm	pc.	0,090
410050.9	Bmc	Flush pull grip 70x50 mm	pc.	0,090

FLUSH PULL GRIPS STAINLESS STEEL - FLUSH PULL GRIPS A4 TYPE 2

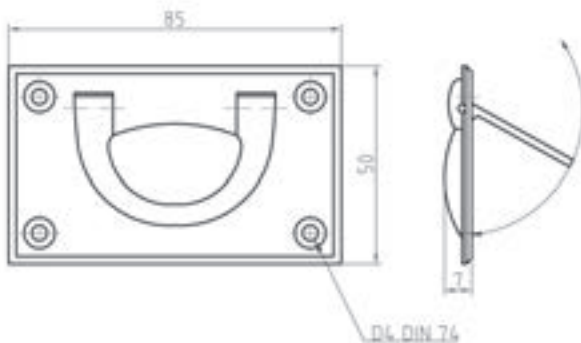
- Material: Stainless steel A4



Art.code	Surface	Article description	Unit	Weight
N-410045.4	S/S polished	Flush pull grip 63x44 mm	pc.	0,090
N-410045.9	S/S matt	Flush pull grip 63x44 mm	pc.	0,090

FLUSH PULL GRIPS STAINLESS STEEL - FLUSH PULL GRIPS A4 TYPE 3

- Material: Stainless steel A4

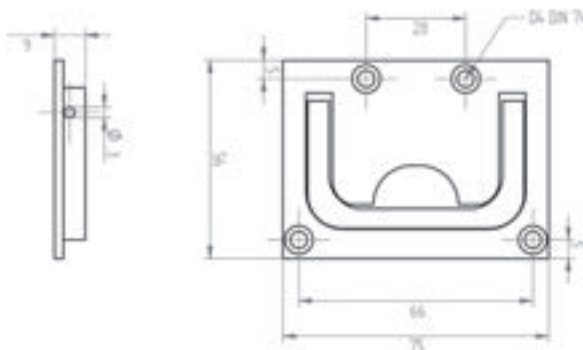


Art.code	Surface	Article description	Unit	Weight
N-410020.4	S/S polished	Flush pull grip 85x50 mm	pc.	0,080
N-410020.9	S/S matt	Flush pull grip 85x50 mm	pc.	0,080

FLUSH PULL GRIPS STAINLESS STEEL - FLUSH PULL GRIPS A4 TYPE 4



- Material: Stainless steel A4



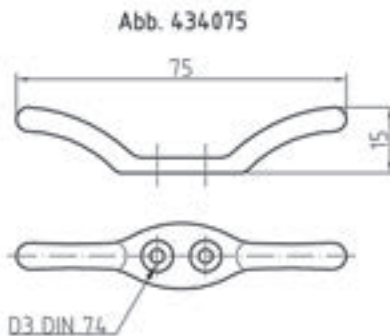
Art.code	Surface	Article description	Unit	Weight
N-410075.4	S/S polished	Flush pull grip 75x56 mm	pc.	0,130
N-410075.9	S/S matt	Flush pull grip 75x56 mm	pc.	0,130

DECK HARDWARE INSIDE - CORD SPOOLER



- Material: Brass Ms 63

- Available in nickel surface



Art.code	Surface	Article description	Unit	Weight
434130.1	Brp	Cord spooler L=130 mm	pc.	0,051
434110.1	Brp	Cord spooler L=110 mm	pc.	0,043
434100.1	Brp	Cord spooler L=100 mm	pc.	0,040
434090.1	Brp	Cord spooler L=90 mm	pc.	0,038
434080.1	Brp	Cord spooler L=80 mm	pc.	0,036
434075.1	Brp	Cord spooler L=75 mm	pc.	0,017
434060.1	Brp	Cord spooler L=60 mm	pc.	0,011
434050.1	Brp	Cord spooler L=50 mm	pc.	0,010
434040.1	Brp	Cord spooler L=40 mm	pc.	0,010

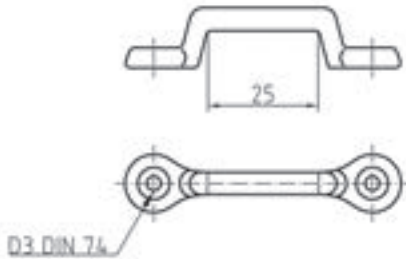
DECK HARDWARE INSIDE - STRAP CLAMP

• Material: Brass Ms 63

• Available in nickle surface



Abb. 435025

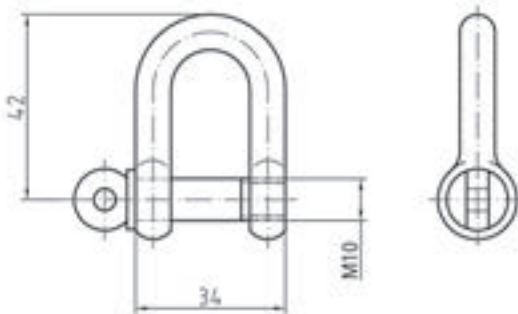


Art.code	Surface	Article description	Unit	Weight
435045.1	Brp	Strap clamp 45 mm	pc.	0,023
435040.1	Brp	Strap clamp 40 mm	pc.	0,020
435035.1	Brp	Strap clamp 35 mm	pc.	0,018
435030.1	Brp	Strap clamp 30 mm	pc.	0,016
435025.1	Brp	Strap clamp 25 mm	pc.	0,014
435020.1	Brp	Strap clamp 20 mm	pc.	0,012
435010.1	Brp	Strap clamp 10 mm	pc.	0,004

DECK HARDWARE INSIDE - SHACKLES DIN 82101, FORM A

• Material: Brass Ms 63

• Further sizes on demand

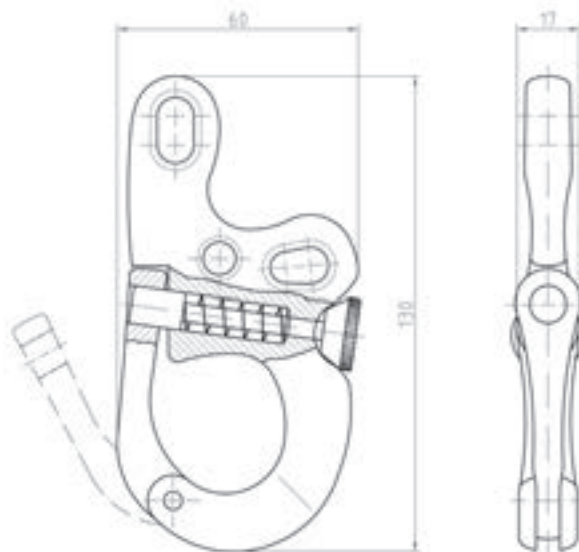


Art.code	Surface	Article description	Unit	Weight
460110.1	Brp	Shackle DIN 82101, Form A, bolt M 10	pc.	0,095
460112.1	Brp	Shackle DIN 82101, Form A, bolt M 12	pc.	0,170
460116.1	Brp	Shackle DIN 82101, Form A, bolt M 16	pc.	0,365
460120.1	Brp	Shackle DIN 82101, Form A, bolt M 20	pc.	0,725

DECK HARDWARE INSIDE - SHACKLE BOLT



- Material: Brass Ms 63



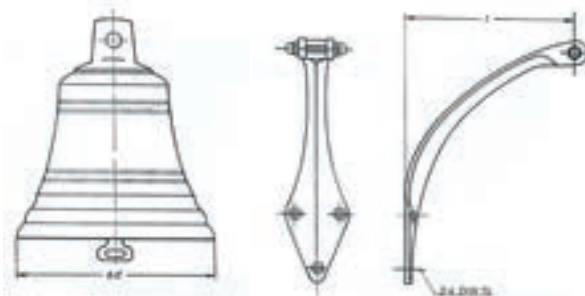
Art.code	Surface	Article description	Unit	Weight
SO-001.1	Brp	Shackle bolt, 130x62x17 mm	pc.	0,490
SO-002.1	Brp	Shackle bolt, 142x70x20 mm	pc.	0,670

DECK HARDWARE INSIDE - SHIP BELLS



- Material: Brass Ms 63

- Further sizes on demand



Art.code	Surface	Article description	Unit	Weight
420120.4	Bp	Ship bell 120 mm	pc.	1,000
420170.4	Bp	Ship bell 170 mm	pc.	2,410
420200.4	Bp	Ship bell 200 mm	pc.	4,050
421080.4	Bp	Ship bell bracket overhang 80 mm	pc.	0,140
421120.4	Bp	Ship bell bracket overhang 120 mm	pc.	0,300
421170.4	Bp	Ship bell bracket overhang 170 mm	pc.	0,600